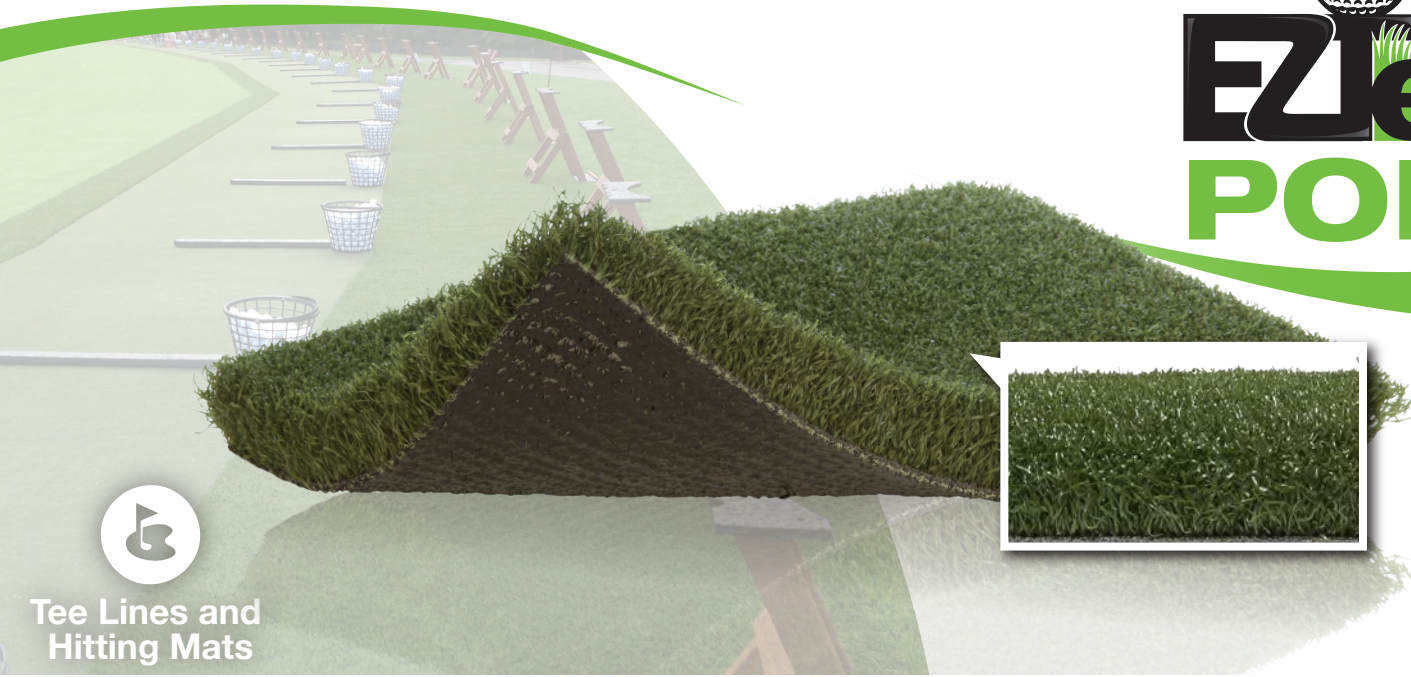




# Eziee POLY



## Tee Lines and Hitting Mats



### PROPERTY

**Primary/Stalk Yarn Polymer:**  
**Secondary/Thatch Yarn Polymer:**  
**Primary/Stalk Standard Color(s):**  
**Secondary/Thatch Standard Colors:**  
**UV Stabilized:**  
**Fabric Construction:**  
**Primary Backing:**  
**Coating Type(s):**  
**Perforations:**  
**Pile Height:**  
**Face Weight:**  
**Total Weight:**  
**Permeability:**  
**Roll Width:**  
**Yarn Shape:**

### DESCRIPTION

Polypropylene  
 N/A  
 Pine  
 N/A  
 Yes  
 Cross-stitched  
 ArmorLoc™ 3L Stabilized Woven  
 PP/PET Multilayer  
 SilverBack™ Polyurethane  
 Optional  
 1"  
 120 oz/yd<sup>2</sup>  
 147 oz/yd<sup>2</sup>  
 Minimum 30" per hour if perforated  
 15 ft.  
 Texturized



### ADVANTAGES

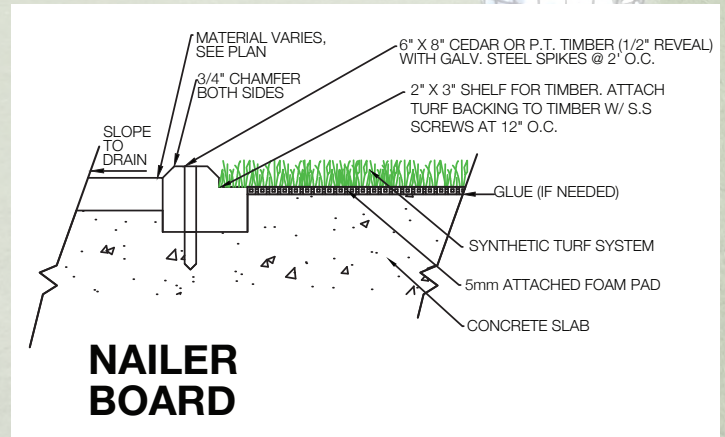
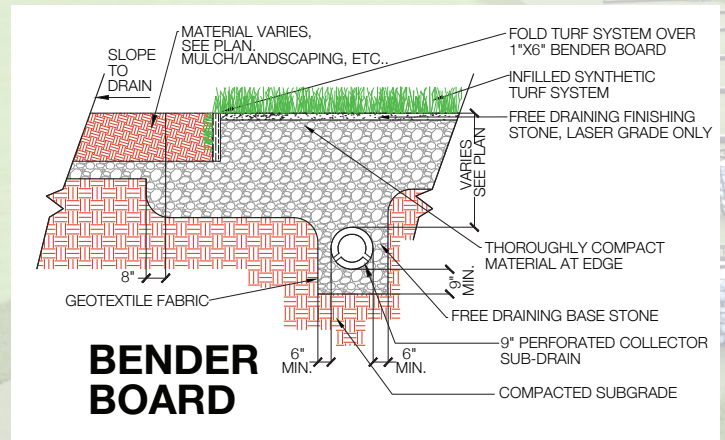
- Holds a real tee
- Allows for a true natural swing
- Provides a divot feel with no club bounce
- Used by PGA professionals, teachers, tour players and numerous top rated facilities
- Offers authentic feedback when hitting with irons
- Allows for play and practice year round
- Excellent tee line alternative that allows natural grass to rest and heal
- Available in mats and continuous tee lines



# EZtee POLY

## BENEFITS

The EZtee® Poly features a non-infilled high grade polypropylene yarn system designed for heavy traffic tee lines, hitting mats, and extended use golf ranges. This product holds a real tee and allows players to hit all clubs, from a wedge to a driver and is used by many of the top golf courses around the world. EZtee® Poly does not replace your natural grass, but instead gives the grass time to heal properly. When will you Experience A Greener World and a better golf facility?



It is the policy of Synthetic Turf International to continuously improve their line of products. Therefore, Synthetic Turf International reserves the right to change, modify or discontinue systems, specifications and accessories of all products at any time without notice or obligation to purchaser. These are standard specifications subject to manufacturing tolerances and consumer requests.